



# ***Installation Instructions***

## ***Lift Connect™ Access Manager***

***Refer to Models Included for  
model and serial number  
information***

Original Instructions  
First Edition  
First Printing  
Part No. 1310577GT  
May 2023

## Introduction



### Observe and Obey:

- This procedure shall be completed by a person trained and qualified on the repair of this machine.
- Immediately tag and remove from service a damaged or malfunctioning machine.
- Repair any machine damage or malfunction before operating the machine.

### Before Starting Installation:

- Read, understand and obey the safety rules and operating instructions in the appropriate operator's manual.
- Be sure that all necessary tools and parts are available and ready for use.
- Read this procedure completely and adhere to the instructions. Attempting shortcuts may produce hazardous conditions.

Note: These installation instructions only apply to the Genie models and serial number ranges listed within this document.

If you have any further questions regarding these instructions or need assistance, please contact Genie Product Support at one of the following telephone numbers:

United States:	+ 800 536 1800
Canada:	+ 425 881 1800
Europe:	
UK regions	+ 311 65799800
Nordic regions	+ 311 65799801
Middle East / South Africa	+ 311 65799802
French regions	+ 311 65799803
German regions	+ 311 65799804
BNL regions	+ 311 65799805
IT / SE regions	+ 311 65799806
Spanish regions	+ 311 65799807
Australia	+ 61 7 3456 4444
Brazil	+ 0 800 031 0100
South America - other locations	+ 56 9 6431 2110
All other locations	+ 1 425 881 1800

Copyright © 2023 by Terex Corporation

First Edition: First Printing, May 2023

Genie is a registered trademark of Terex South Dakota, Inc. in the U.S.A. and many other countries.

"GS" is a trademark of Terex South Dakota, Inc.

"Lift Connect" is a trademark of Terex South Dakota, Inc.



# Introduction

## Models Included

Model	From serial number
GS-1330m	GS30MD-101
GS-1432m	GS32MD-101
GS-1932m	GS32MP-101 GS32MT-101
GS-1530	GS3014A-134509
GS-1532	GS3015C-17993
GS-1930	GS3015D-2588
GS-1932	GS3016P-142281
GS-2032	GS3214A-120635
GS-2632	GS3215C-14486
GS-3232	GS32D-101 GS3216P-142676
GS-2046	GS4614A-118307
GS-2646	GS4615C-14486
GS-3246	GS4615D-2217 GS4616P-138362
GS-4046	GS46D-20101
GS-4047	GS4715C-2072 GS4715D-1106 GS4716P-101
GS-4655	GS55D-101

## Tools Required:

11/32 inch wrench  
 Small flathead screwdriver  
 Flathead screwdriver  
 Wire crimper  
 Wire stripper  
 Cable tie gun or wire cutters

## Optional tools:

3/16 in / 4,75 mm drill bit  
 1/2 in / 13 mm drill bit  
 Drill motor  
 Center punch  
 Hammer  
 Deburring tool

## Introduction

### Components of Kit 1311275GT

GS-1330m	GS-1530/32	GS-1930/32	
GS-2032	GS-2632	GS-3232	
GS-2046	GS-2646	GS-3246	
Description	Genie part number	Qty.	
Cable tie, 4 in, black	21121GT	6	
Button cable tie, 10 in, black	40928GT	3	
Screw, PHPM, 8-32 x 1.5, ZAG	1256698GT	2	
Flat washer, 8, SAE, ZAG	1257390GT	2	
Nylock nut, 8-32, 8, ZAG	1271081GT	2	
Access management keypad	1296895GT	1	
Access management harness	1296896GT	1	
Bracket, access manager	1299991GT	1	
Access manager users guide	1312446GT	1	
Installation instructions	1310577GT	1	

### Components of Kit 1322179GT

GS-1432m	GS-1932m		
Description	Genie part number	Qty.	
Cable tie, 4 in, black	21121GT	6	
Screw, HHF, 1/4-20 x 1, 8, ZAG	824079GT	2	
Screw, PHPM, 8-32 x .75, ZAG	1253490GT	2	
Flat washer, 8, SAE, ZAG	1257390GT	2	
Nylock nut, 8-32, 8, ZAG	1271081GT	2	
Access management keypad	1296895GT	1	
Access management harness	1296896GT	1	
Bracket, access manager	1308575GT	1	
Access manager users guide	1312446GT	1	
Installation instructions	1310577GT	1	

### Components of Kit 1311276GT

GS-4046	GS-4047	GS-4655	
Description	Genie part number	Qty.	
Cable tie, 4 in, black	21121GT	6	
Button cable tie, 10 in, black	40928GT	4	
Screw, PHPM, 8-32 x 1.5, ZAG	1256698GT	2	
Flat washer, 8, SAE, ZAG	1257390GT	2	
Nylock nut, 8-32, 8, ZAG	1271081GT	2	
Access management keypad	1296895GT	1	
Access management harness	1296897GT	1	
Bracket, access manager	1299991GT	1	
Access manager users guide	1312446GT	1	
Installation instructions	1310577GT	1	



## Procedure

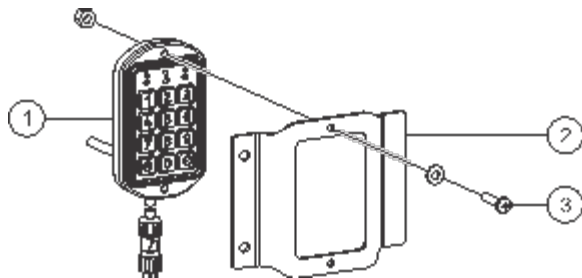
### GS32m Models

Note: Perform this procedure on a firm, level surface with the machine in the stowed position.

- 1 Turn the key switch to the off position and push in the red Emergency Stop button to the off position at the ground controls.
- 2 Secure the keypad to the bracket using the provided retaining fasteners.

Note: Pay attention to the orientation of the bracket.

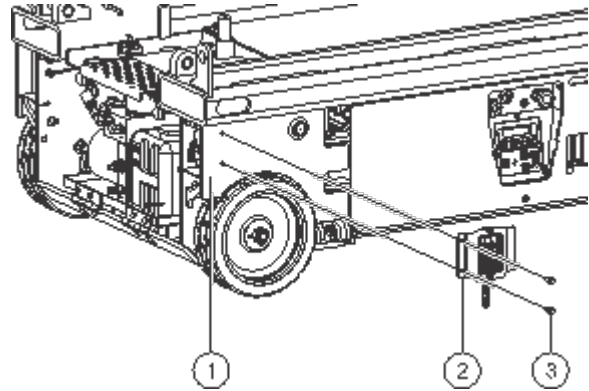
Genie part numbers 1296895GT,  
1308575GT, 1253490GT, 1257390GT,  
1271081GT



- 1 keypad
- 2 bracket
- 3 retaining fasteners

- 3 Remove and discard the retaining fasteners from the keypad mounting location on the chassis side plate. Mount the keypad assembly using the provided retaining fasteners.

Genie part number 824079GT



- 1 chassis side plate
- 2 keypad assembly
- 3 retaining fastener

- 4 Route the keypad harness inside the chassis above the top hinge of the ground controls compartment.

Note: Refer to the *Cable Routing Diagram* that is appropriate for your machine.

- 5 Open the ground controls compartment.
- 6 Locate and disconnect the telematics module from the 12 pin gateway harness.

Note: The telematics device is mounted to the front of the drive chassis between the steer tires.

## Procedure

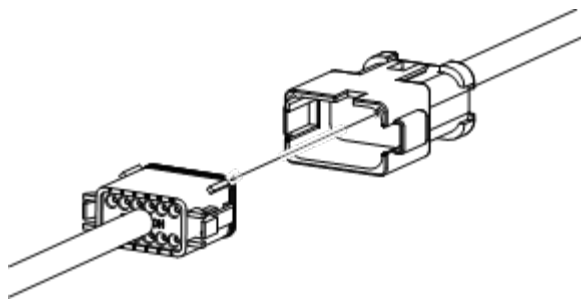
- 7 Connect the telematics module to the 12 pin connector of the provided access management harness.

Genie part number 1296896GT

Note: Harness connectors are keyed for proper installation.

### NOTICE

Component damage hazard. Improper connections will result in damage to the telematics module and it is not covered under warranty.



example of keyed harness connector

- 8 Connect the 12 pin connector of the access management harness to the gateway harness connector.
- 9 Route the 5 pin connector through the chassis to the access manager keypad harness.
- 10 Secure the harness in the chassis with cable ties.
- Genie part number 21121GT
- 11 Put the Access Manager user guide in the manual storage box located on the machine.
- Genie part number 1312446GT

## All Other Models

Note: Perform this procedure on a firm, level surface with the machine in the stowed position.

- 1 Turn the key switch to the off position and push in the red Emergency Stop button to the off position at the ground controls.

**Note: Machines not pre-drilled for access manager, continue with step 2. Machines that are pre-drilled for access manager, continue to step 5.**

- 2 Working at the ground control side, mark the locations on the side of the entry ladder to drill the required holes.

Note: Refer to the *Drilling Diagram* that is appropriate for your machine.

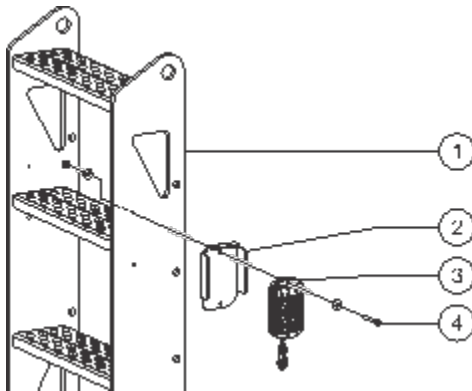
- 3 Using a 3/16 in / 4,75 mm drill bit, drill and deburr the two holes required to mount the keypad.
- 4 Using a 1/2 in / 13 mm drill bit, drill and deburr the remaining holes required to route and secure the harness.

# Procedure

- 5 Mount the keypad and bracket using the provided retaining fasteners.

Note: Illustration is for reference only. Location will vary by model. Refer to the *Cable Routing Diagram* that is appropriate for your machine.

Genie part numbers 1296895GT, 1299991GT, 1256698GT, 1257390GT, 1271081GT

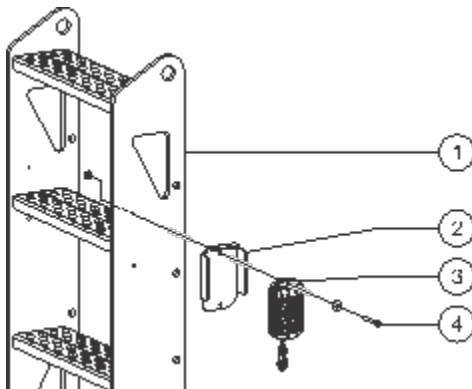


- 1 entry ladder
- 2 bracket
- 3 keypad
- 4 retaining fasteners

- 6 Install the button cable ties.

Note: Illustration is for reference only. Location and quantity will vary by model. Refer to the *Cable Routing Diagram* that is appropriate for your machine.

Genie part number 40928GT



- 1 entry ladder
- 2 button cable tie

- 7 Route the keypad harness down the inside of the ladder and secure with the button cable ties.

Note: Refer to the *Cable Routing Diagram* that is appropriate for your machine.

- 8 Open the ground controls compartment.
- 9 Locate and disconnect the telematics module from the 12 pin gateway harness.

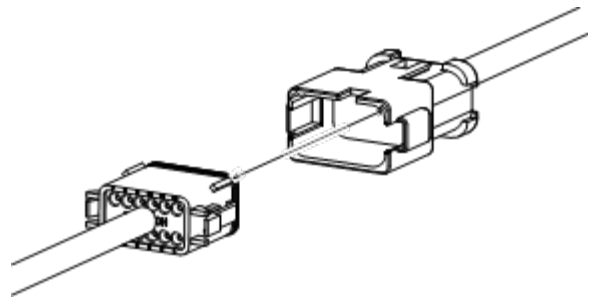
Note: The telematics device is mounted to the top of the drive chassis and its plug is routed down into the chassis.

- 10 Connect the telematics module to the 12 pin connector of the provided access management harness.

Genie part number 1296896GT or 1296897GT

Note: Harness connectors are keyed for proper installation.

**NOTICE** Component damage hazard. Improper connections will result in damage to the telematics module and it is not covered under warranty.



example of keyed harness connector

# Procedure

- 11 Connect the 12 pin connector of the access management harness to the gateway harness connector.
- 12 Route the 5 pin connector through the chassis towards the entry ladder and connect it to the access manager keypad harness.
- 13 Secure the harness in the chassis with cable ties.  
Genie part number 21121GT
- 14 Put the Access Manager user guide in the manual storage box located on the machine.  
Genie part number 1312446GT

## Software Version

Note: Not all machines will require a software update.

- 1 Verify the software version on your machine.
- 2 Turn the key switch to ground control and pull out the Red Emergency Stop button to the on position.
- 3 Read and record the software version displayed on the LCD screen.

Software Version: \_\_\_\_\_

Note: Refer to the following chart to determine if the machine software requires updating.

Model	Software Version
All models	3.2.0

Note: Models with a software version listed is the minimum requirement to support Access Manager and does not require an immediate software update.

**▲** Genie recommends updating the machine software to receive the latest updates and features available. Refer to the Genie Firmware website.

Note: Models with a lower version level must update the system software. Refer to *Firmware Site Download*.



---

# Procedure

## Firmware Site Download

**Note: Access to the internet is required to perform this procedure.**

Note: Turning off your pop up blocker may be required to perform this procedure.

- 1 Go to the Genie Firmware site.  
<https://www.genielift.com/en/support/firmware>
- 2 From the drop-down menu, select the model that is appropriate for your machine.
- 3 Under **Application Firmware**, select the **Firmware File**.
- 4 Follow the prompts for **Terms of Service** and **Submit**.
- 5 Navigate to the **Downloads** folder on your computer and locate the **.zip** folder.
- 6 Right click on the file and select **Extract All**. Save the files to your desktop.
- 7 Close your internet browser.
- 8 Update the software using the installation instructions located in the **.zip** folder.

## Access Manager Activation

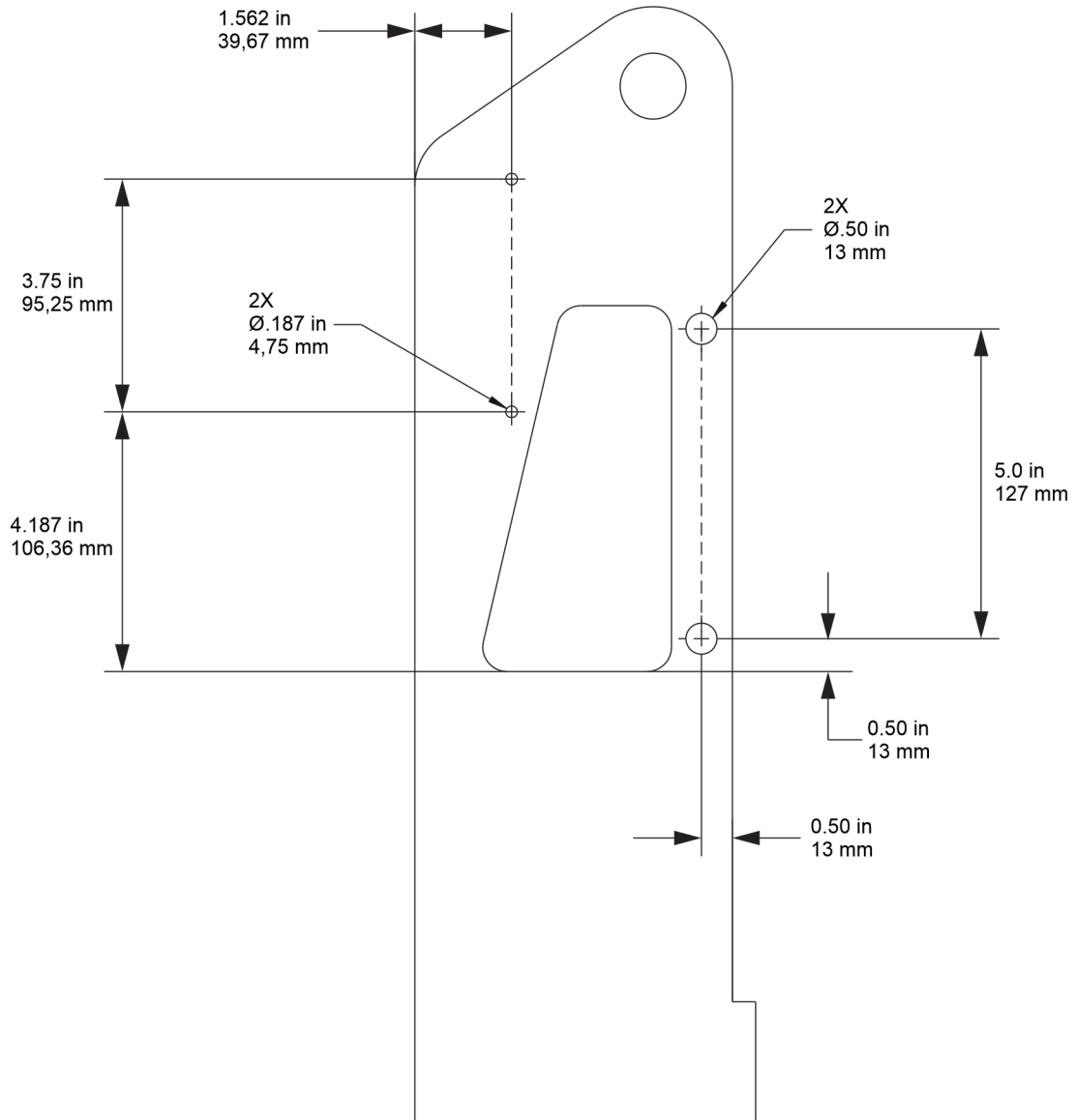
- 1 Navigate to the Options menu on the machine and verify Lift Connect is selected.
- 2 To complete activation of your Access Manager keypad please contact the Lift Connect team.

email to:

<mailto:AWP.LiftConnectSubscriptions@terex.com>

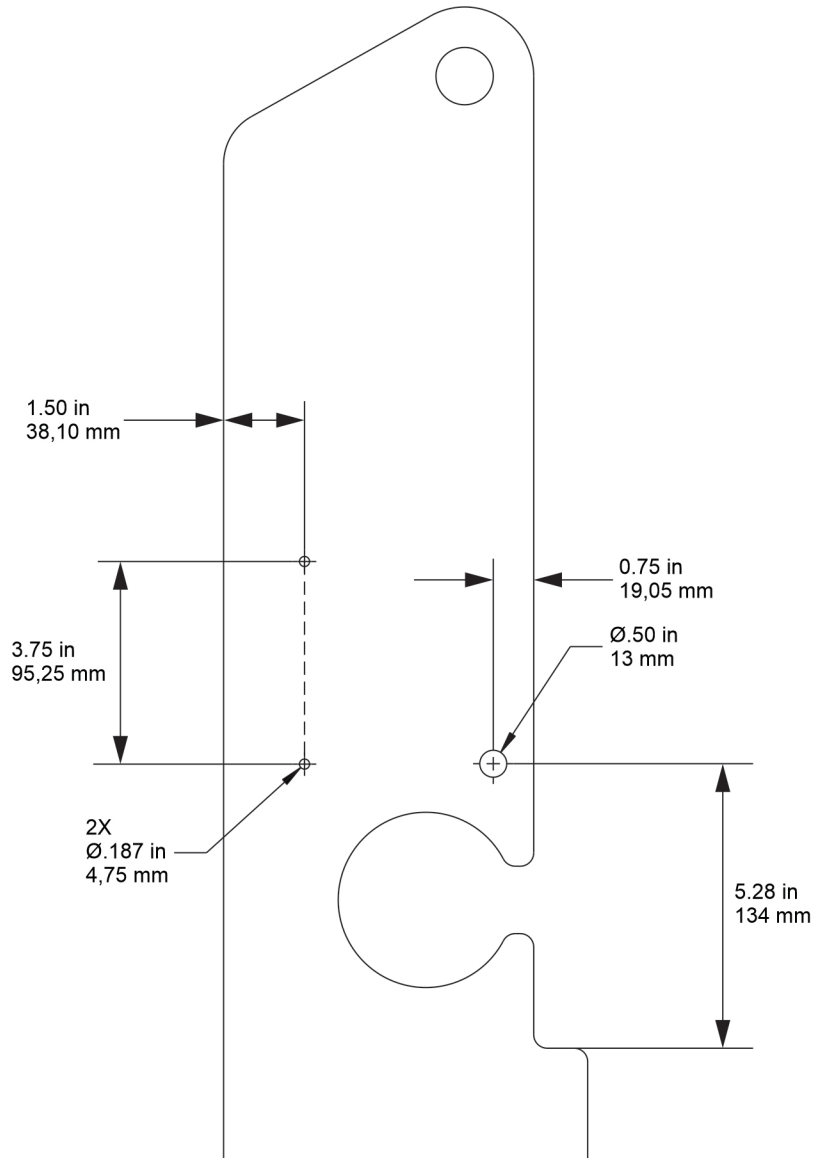
# Drilling Diagram

## GS-1330m



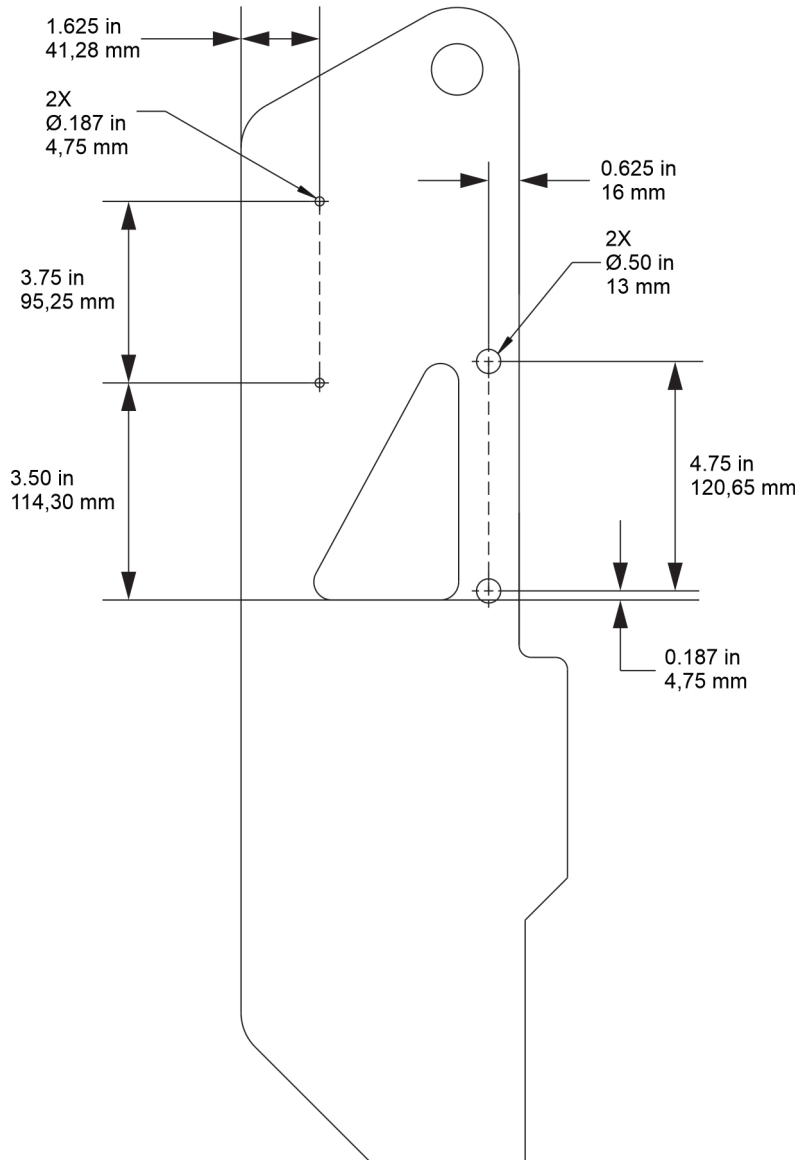
# Drilling Diagram

GS-1530, GS-1532, GS-1930, GS-1932



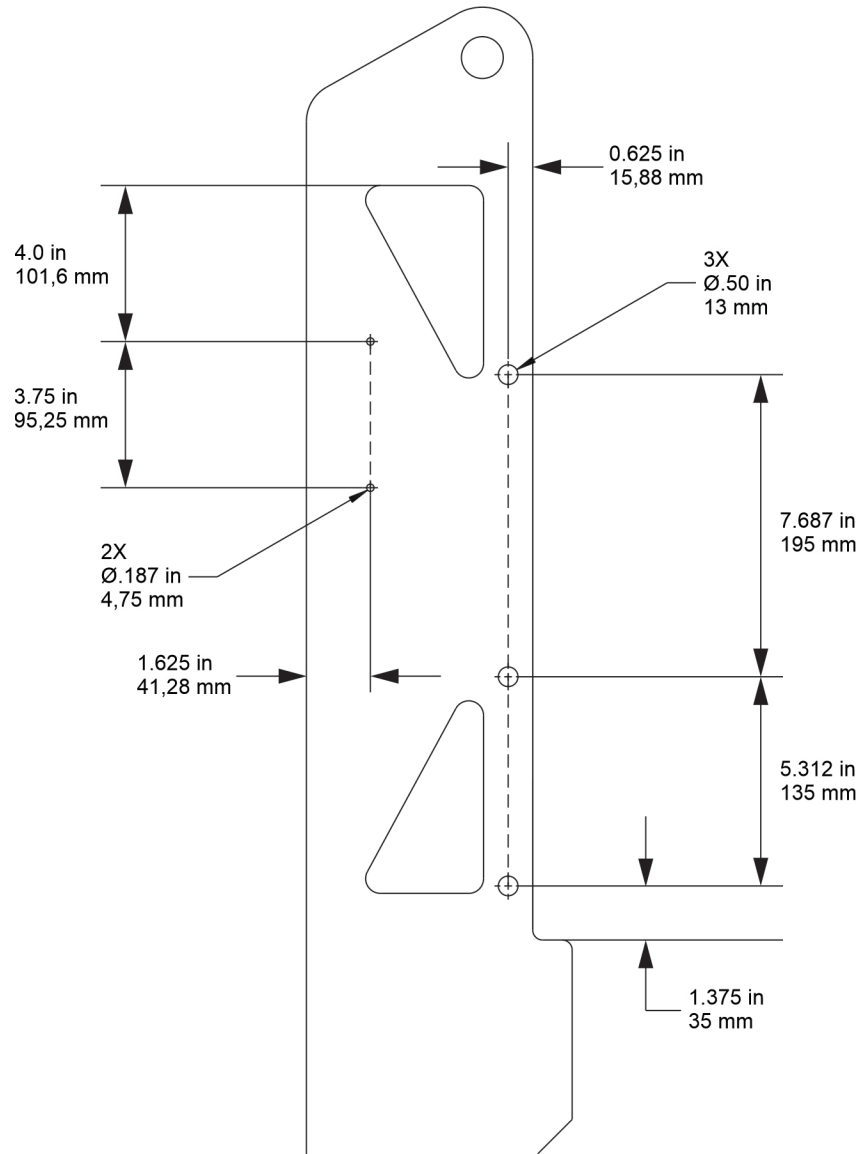
# Drilling Diagram

GS-2032, GS-2046



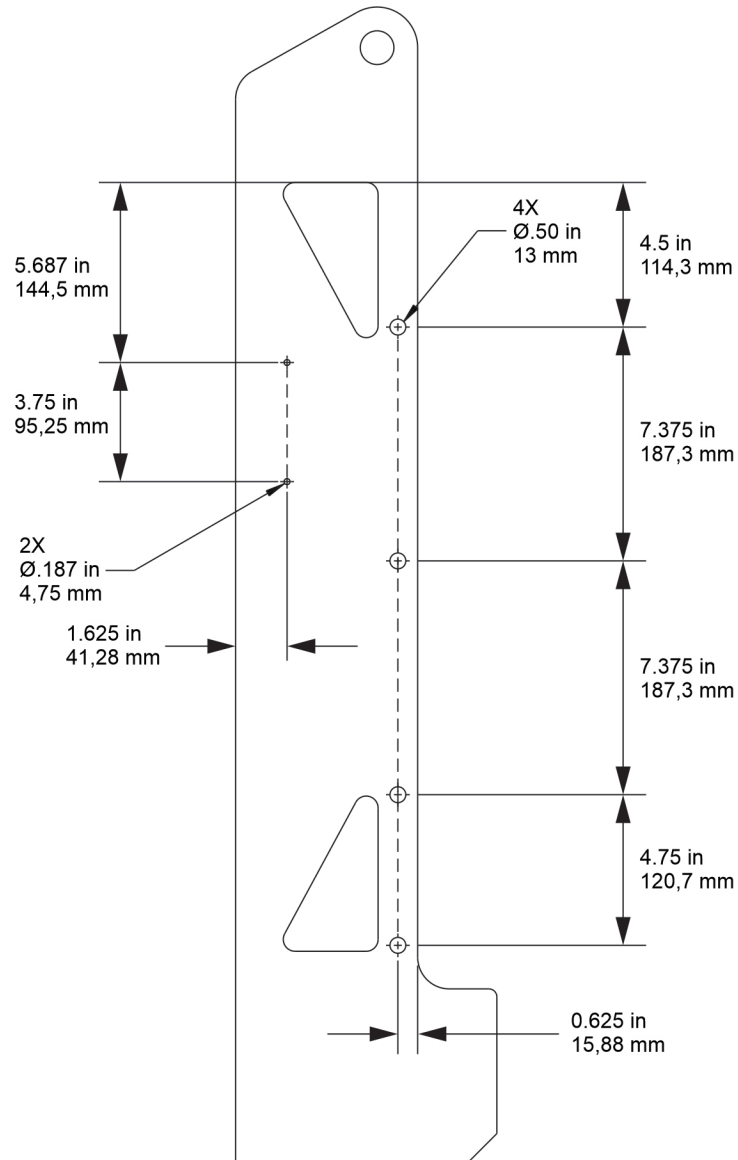
# Drilling Diagram

GS-2632, GS-3232, GS-2646, GS-3246



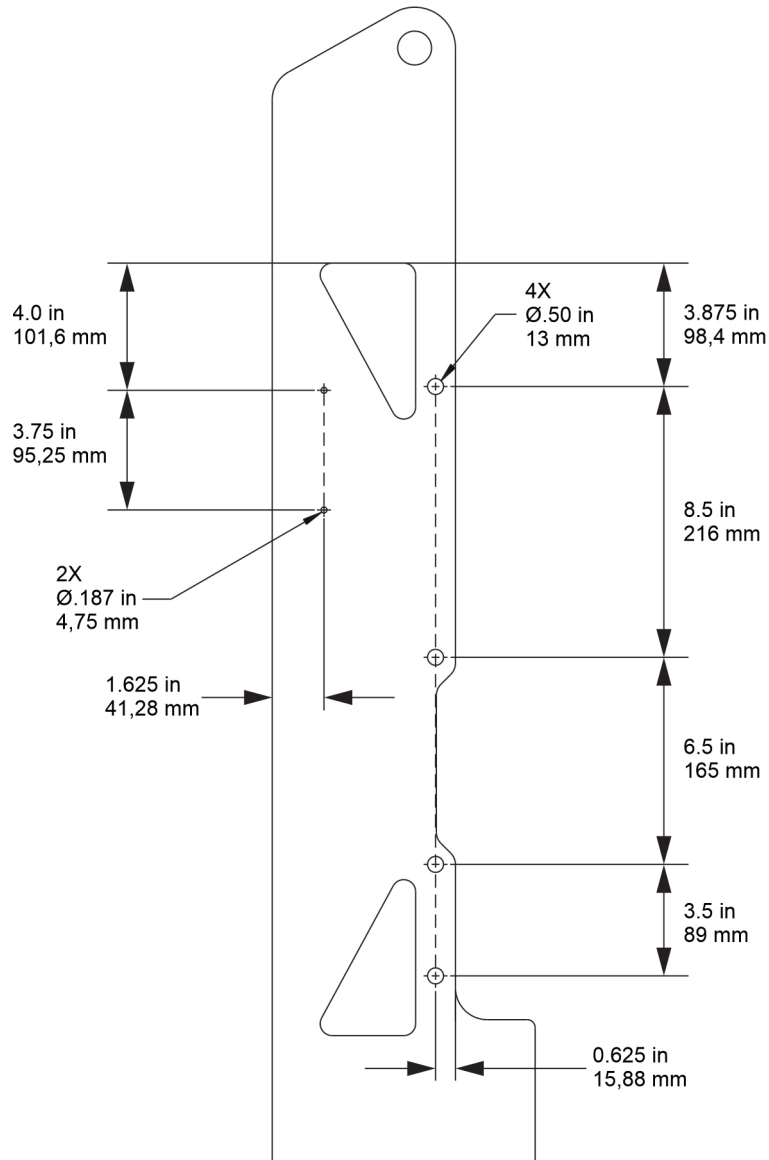
# Drilling Diagram

GS-4047



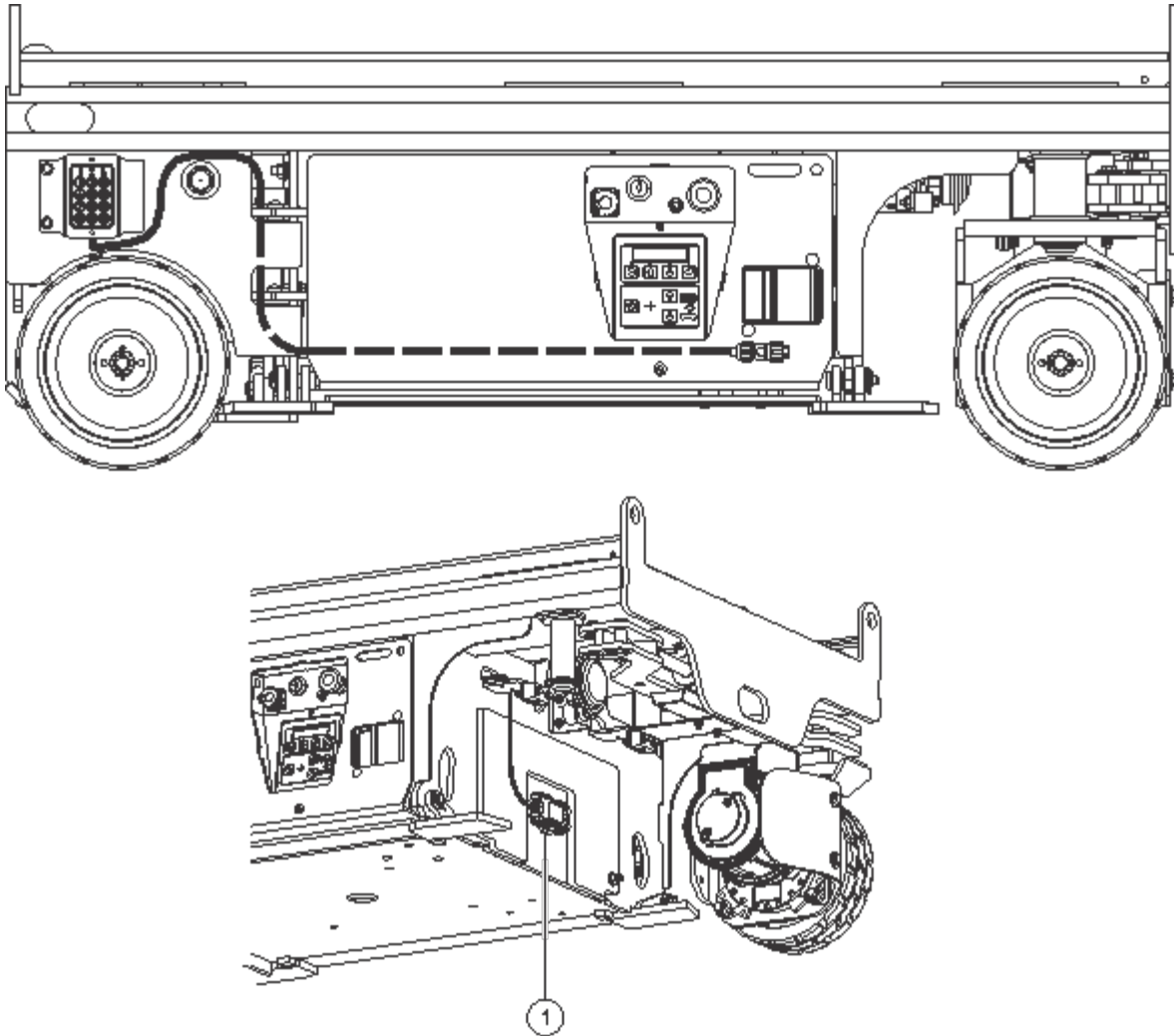
# Drilling Diagram

GS-4655



# Cable Routing Diagram

GS-1432m, GS-1932m

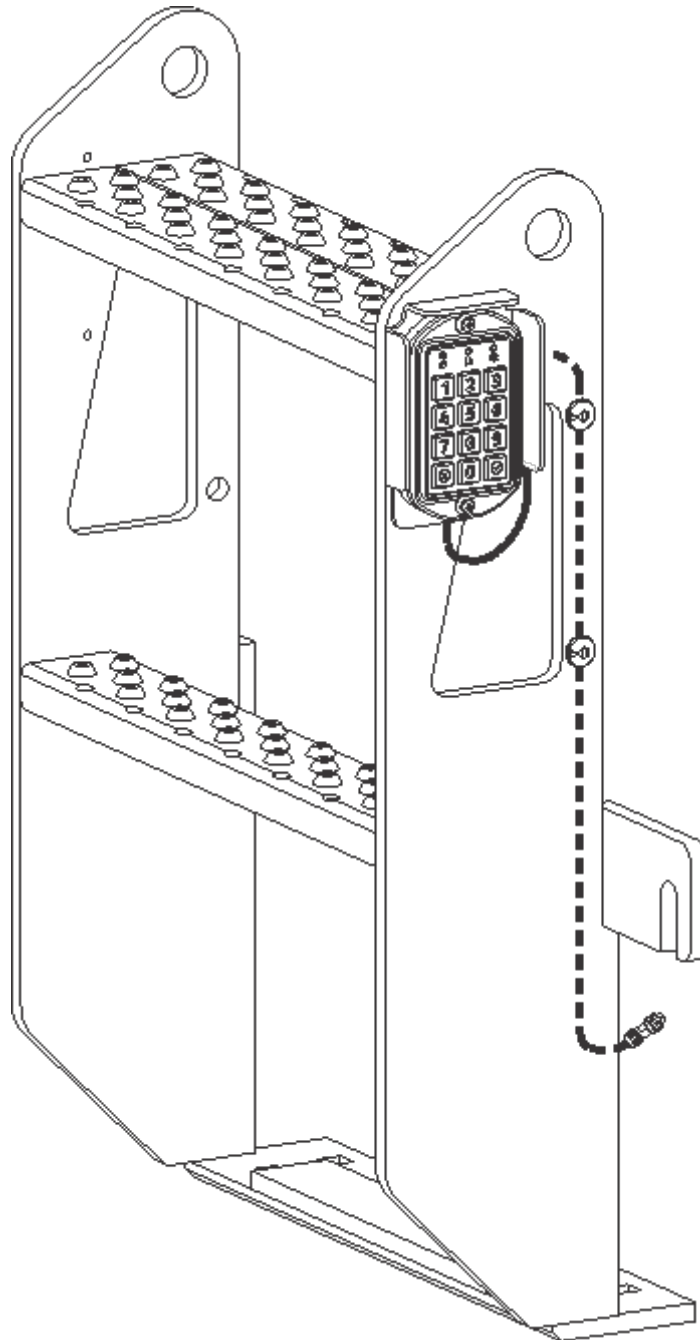


1 telematics module



# Cable Routing Diagram

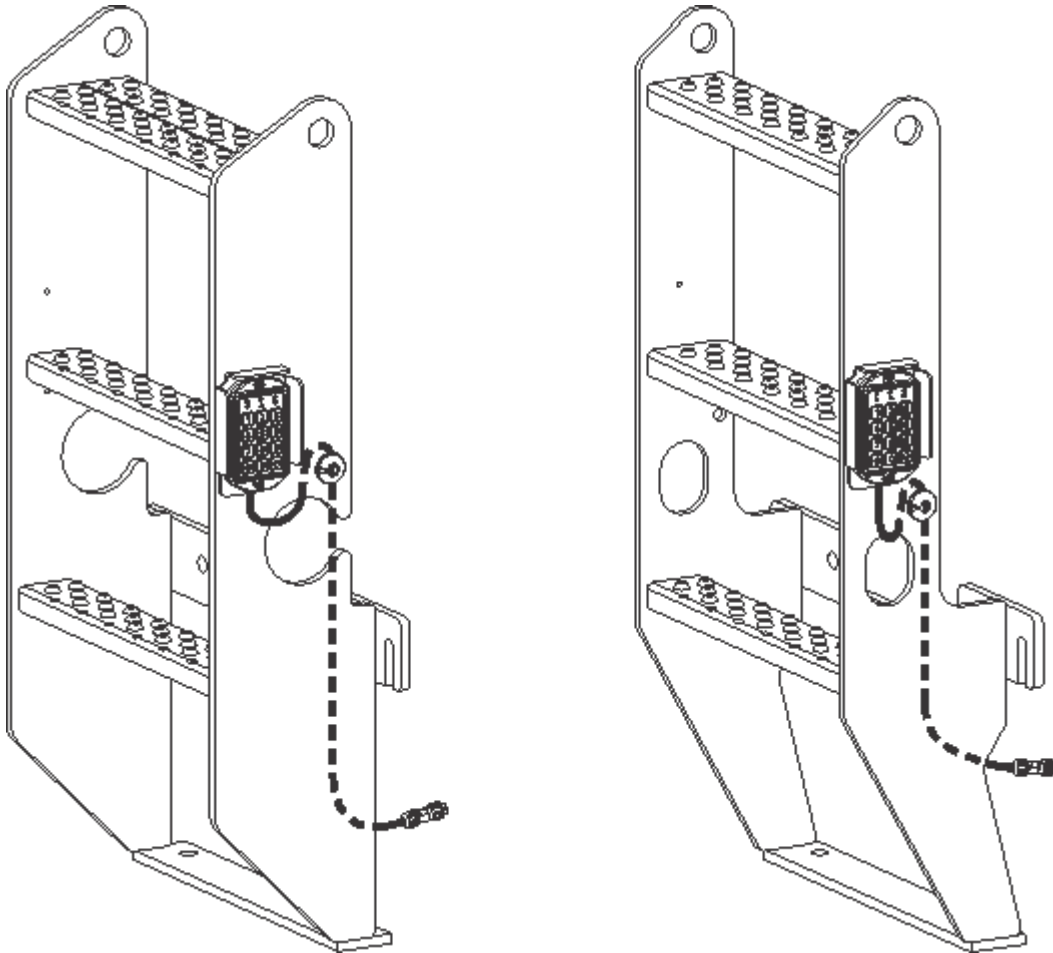
GS-1330m



# Cable Routing Diagram

**GS-1530, GS-1532, GS-1930, GS-1932**

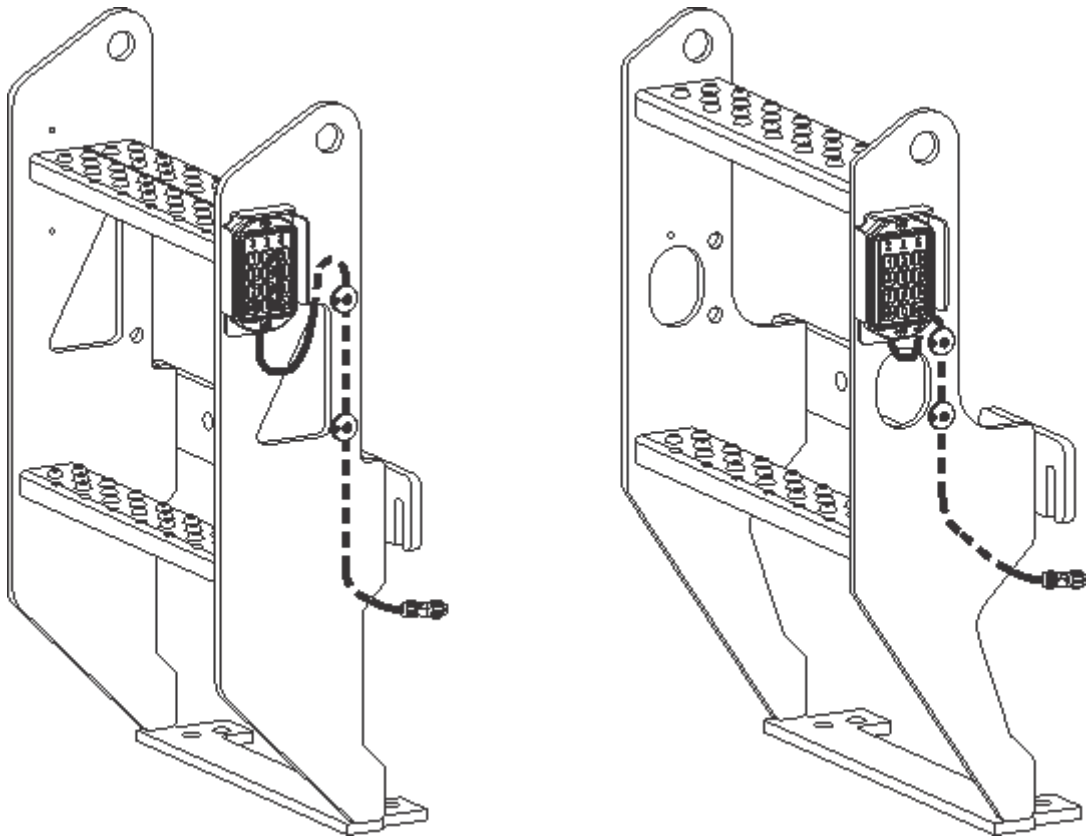
Note: Ladder type may vary by serial number.



# Cable Routing Diagram

## GS-2032, GS-2046

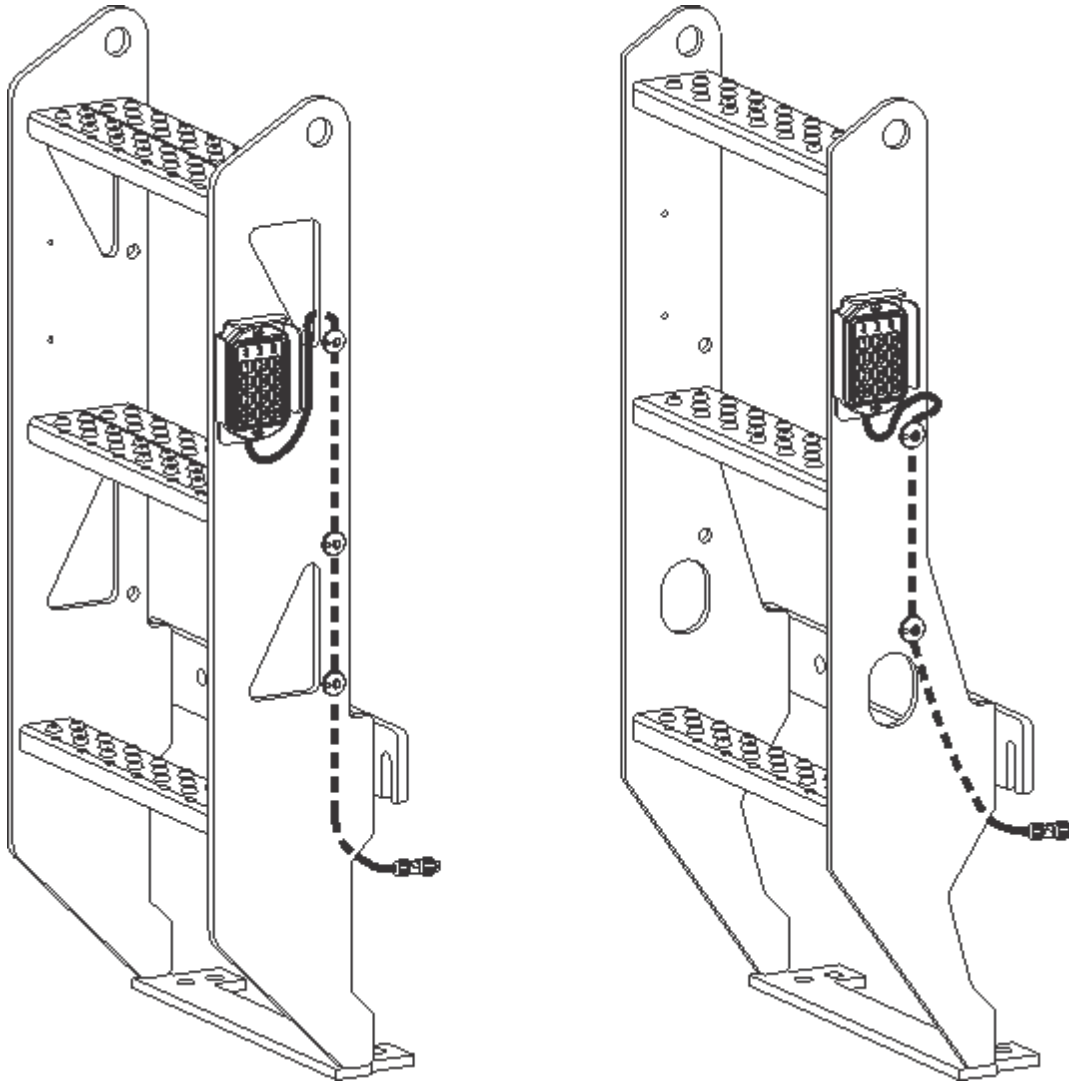
Note: Ladder type may vary by serial number.



# Cable Routing Diagram

**GS-2632, GS-3232, GS-2646, GS-3246**

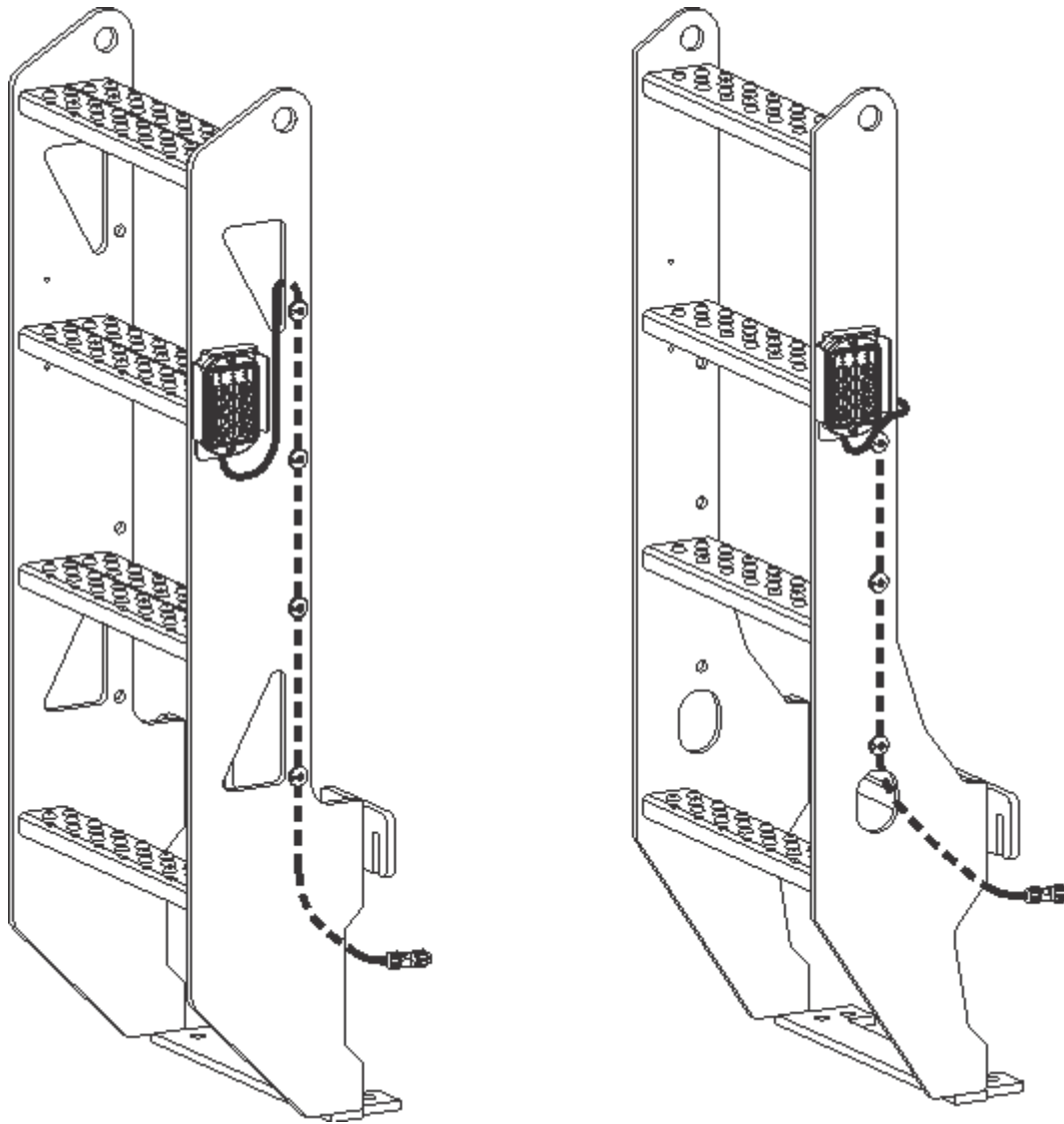
Note: Ladder type may vary by serial number.



# Cable Routing Diagram

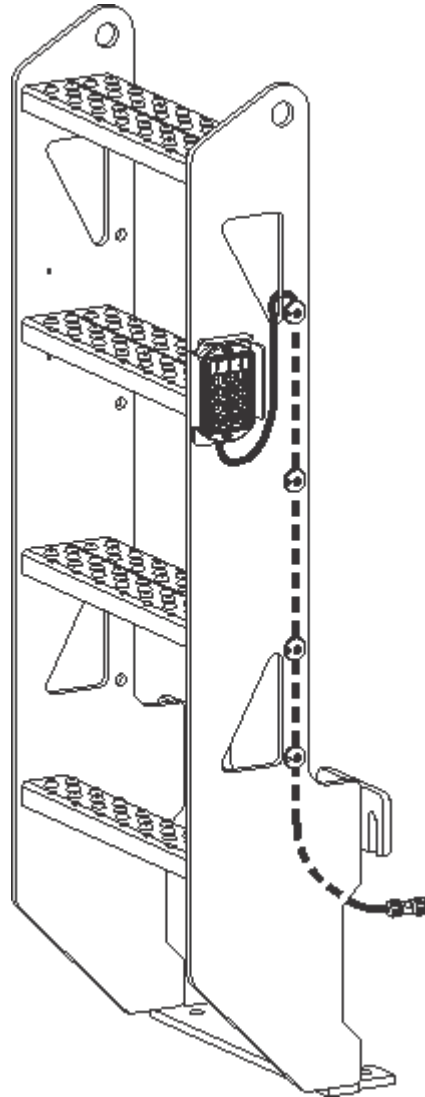
## GS-4046

Note: Ladder type may vary by serial number.



# Cable Routing Diagram

GS-4047



# Cable Routing Diagram

## GS-4655

Note: Ladder type may vary by serial number.

