

# TECH TIPS

Service Call:

**Unit will drive against the brakes or slightly in the opposite direction by holding enable foot switch or trigger.  
How to make a null adjustment on an Eaton pump**

Tools Needed:

Small flat blade screwdriver  
5/8" wrench

Model:

**Booms/RT Scissors**



## Tech Tips Safety Rules



### **Danger**

Failure to obey the instructions and safety rules in the appropriate Operator's Manual and Service Manual for your machine will result in death or serious injury. Many of the hazards identified in the operator's manual are also safety hazards when maintenance and repair procedures are performed.

### **Do Not Perform Maintenance Unless:**

- You are trained and qualified to perform maintenance on this machine.
- You read, understand and obey:
  - manufacturer's instructions and safety rules
  - employer's safety rules and worksite regulations
  - applicable governmental regulations
- You have the appropriate tools, lifting equipment and a suitable workshop.

The information contained in this tech tip is a supplement to the service manual. Consult the appropriate service manual of your machine for safety rules and hazards.

## Step 1

Loosen jam nut and make minor adjustment to the slot using a screw driver.

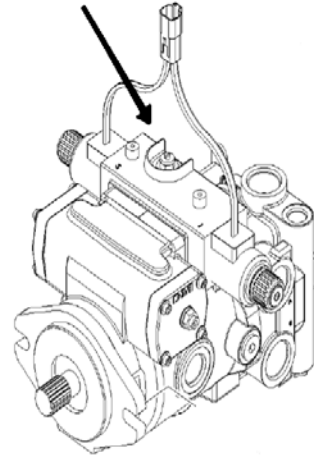
Tighten jam nut. Desired result is the unit should not move when the (foot switch for Booms) or (squeeze handle trigger for RT Scissors) is enabled.

Notes: These adjustments need to be made with the engine off.

Turning the adjustment screw in the clockwise direction will increase the speed of the unit in the forward direction and slow it down in the reverse direction.

Turning the adjustment screw in the counterclockwise direction will increase the speed of the unit in the reverse direction and slow it down in the forward direction.

Drive speed elevated should be the same in both directions.



## Step 2

**Step 3**

**Step 4**