

Genie® S®-80 J & S-80 J TraX™

Specifications

Models	S-80 J & S-80 J TraX
Working height max. ⁽¹⁾	26.51 m
Working height max.(TraX) ⁽¹⁾	26.56 m
Platform height max.	24.51 m
Platform height max.(TraX)	24.56 m
Horizontal reach max.	16.69 m
A Platform length (8 ft/6 ft)	0.91 m/0.76 m
B Platform width (8 ft/6 ft)	2.44 m/1.83 m
C Height - stowed (tires)	2.74 m
C Height - stowed (TraX)	2.84 m
D Length - stowed (tires)	10.44 m
D Length - stowed (TraX)	10.44 m
D Length - storage/transport (jib tucked under)	7.98 m
E Width (tires)	2.49 m
E Width (TraX)	2.46 m
F Wheelbase	3.05 m
G Ground clearance - center (tires)	0.36 m
G Ground clearance - center (TraX)	0.46 m
H Height under counterweight	1.09 m

Productivity

Lift capacity max. - unrestricted	300 kg
Number of Platform Occupants	2
Platform rotation	160°
Jib length	1.83 m
Vertical jib rotation (up/down)	130°
Turntable rotation	353°
Turntable tailswing	2.54 m
Drive speed - stowed (tires)	4.8 km/h
Drive speed - stowed (TraX)	3.14 km/h
Drive speed - raised (tires)	1.6 km/h
Drive speed - raised (TraX)	1.01 km/h
Gradeability - stowed ⁽²⁾	45%
Tilt sensor activation (front to back/side to side)	4.5° / 4.5°
Turning radius - inside/outside (tires)	4.70 m/7.80 m
Turning radius - inside/outside (TraX)	4.97 m/8.08 m
Tires	355/55D625
Track system - 4 points	TraX

Power

Power	Diesel
Hydraulic tank capacity	87 L
Fuel tank capacity	114 L

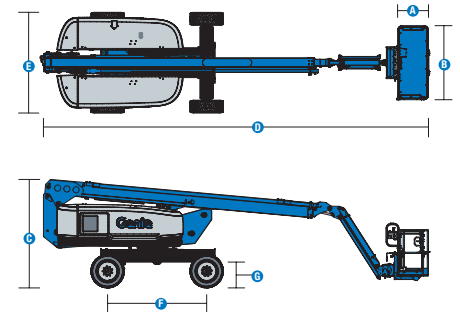
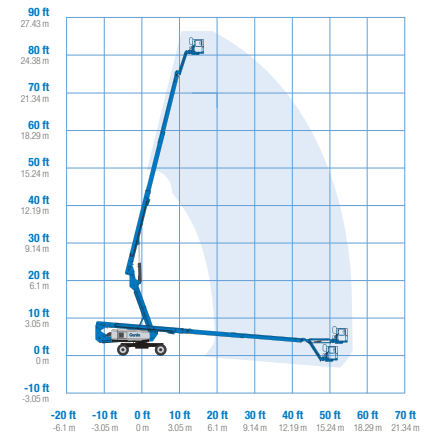
Weight⁽³⁾ and Floor Loading⁽⁴⁾

Weight (tires)	11,113 kg
Weight (TraX)	13,421 kg
Tire contact pressure	627 kPa
Track contact pressure	227.5 kPa
Occupied floor pressure (tires)	11.61 kPa
Occupied floor pressure (TraX)	13.93 kPa

Sound and Vibration Levels

Sound Pressure level (ground workstation)	83.4 dBA
Sound Pressure level (platform workstation)	75.5 dBA
Vibrations	< 2.5 m/s ²

Range of motion S-80 J/S-80 J TraX



(1) The metric equivalent of working height adds 2 m to platform height. The imperial equivalent adds 6 ft to platform height.

(2) Gradeability applies to driving on slopes and may vary depending on options and machine configurations. See operator's manual for details regarding slope ratings.

(3) Weight refers to standard configuration and may vary depending on options and/or country standards.

(4) Floor loading information is approximate and may vary depending on options and machine configurations. It should be used only with adequate safety factors.

Genie® S®-80 J & S-80 J TraX™

SKU: Standard Model

- S-80 J, 4WD*

* Build to Order

Option availability		S	S+	BtO
Power	48 hp, 36 kW, Deutz D2011, Diesel, T4i/Stage IIIA			<input type="radio"/>
	49 hp Deutz D436, diesel, China Stage III			<input type="radio"/>
	Cold weather package			<input type="radio"/>
	Diesel air intake pre-cleaner			<input type="radio"/>
	Positive air shutdown system			<input type="radio"/>
	Anti-restart engine protection			<input checked="" type="checkbox"/>
	Auto engine fault shutdown			<input checked="" type="checkbox"/>
	In cylinder glow plug (diesel only)			<input checked="" type="checkbox"/>
	Platform	6ft/1.83m dual-entry platform with side swing gate		
8ft/2.44m tri-entry platform with side swing gate				<input checked="" type="checkbox"/>
Dual axis joystick steering				<input type="radio"/>
Thumb rocker steering				<input checked="" type="checkbox"/>
Air line to platform				<input type="radio"/>
Control box covers				<input type="radio"/>
Lift Guard Full Mesh panels				<input type="radio"/>
Lift Guard Half Mesh panels				<input type="radio"/>
Light Package: drive and work lights				<input type="radio"/>
Platform auxiliary top rail				<input type="radio"/>
Lift Power 3kW AC Generator, 110V/60Hz				<input type="radio"/>
Lift Power 3kW AC Generator, 220V/50Hz				<input type="radio"/>
Drive enable system				<input checked="" type="checkbox"/>
Horn				<input checked="" type="checkbox"/>
Lift Guard Contact Alarm				<input checked="" type="checkbox"/>
Lift Tools Work Tray				<input checked="" type="checkbox"/>
Platform load sense system				<input checked="" type="checkbox"/>
Proportional controls				<input checked="" type="checkbox"/>
Self-leveling platform				<input checked="" type="checkbox"/>
Chassis		Lift Connect Telematics		
	Telematics-ready			<input checked="" type="checkbox"/>
	Lift Connect with Access Manager upgrade			<input type="radio"/>
	Eco32 biodegradable hydraulic oil			<input type="radio"/>
	Rough terrain, foam-filled tires			<input checked="" type="checkbox"/>
	Rough terrain, foam-filled, non-marking tires			<input type="radio"/>
	TraX track drive system			<input type="radio"/>
	Deluxe hostile environment kit			<input type="radio"/>
	Hostile environment kit			<input type="radio"/>
	Chassis tilt lift and drive function cut-out			<input type="radio"/>
	2 speed wheel motors			<input checked="" type="checkbox"/>
	Active oscillating axle			<input checked="" type="checkbox"/>
	Alarm package: includes flashing beacon and travel alarm			<input checked="" type="checkbox"/>
	Chassis tilt drive function cut-out			<input checked="" type="checkbox"/>
	Descent, tilt and motion alarm			<input checked="" type="checkbox"/>
Hydraulic oil cooler			<input checked="" type="checkbox"/>	
Positive traction drive			<input checked="" type="checkbox"/>	
Tech Pro Link connector			<input checked="" type="checkbox"/>	

Cold weather package not available on Kubota engine
Positive air shutdown system for Kubota engine only

- S Standard
- S+ Standard +
- BtO Build to Order
- ✓ Standard Features
- Options



660lb/300kg Capacity Jib



Low Transport Weight



Simple Design & Maintenance



Genie Genuine Accessories⁽¹⁾

- Lift Tools Productivity Tools
- Tech Pro Link Handheld Device

(1) More accessories available from Genie Genuine Parts.

Product specifications are subject to change without notice or obligation. Photographs and/or drawings herein are for illustrative purposes only. Refer to the appropriate Operator's Manual for instructions on proper equipment use. Failure to follow instructions in the Operator's Manual may result in serious injury or death. The only warranty applicable to our equipment is the standard written warranty applicable to the particular product and sale and we make no other warranty, express or implied. Products and services listed may be trademarks, service marks or trade names of Terex Corporation and/or their subsidiaries in the USA and many other countries. Terex, Genie, Quality By Design, Xtra Capacity, Lift Power, Lift Guard, Lift Tools, Lift Connect and Tech Pro Link are registered trademarks of Terex Corporation or its subsidiaries.